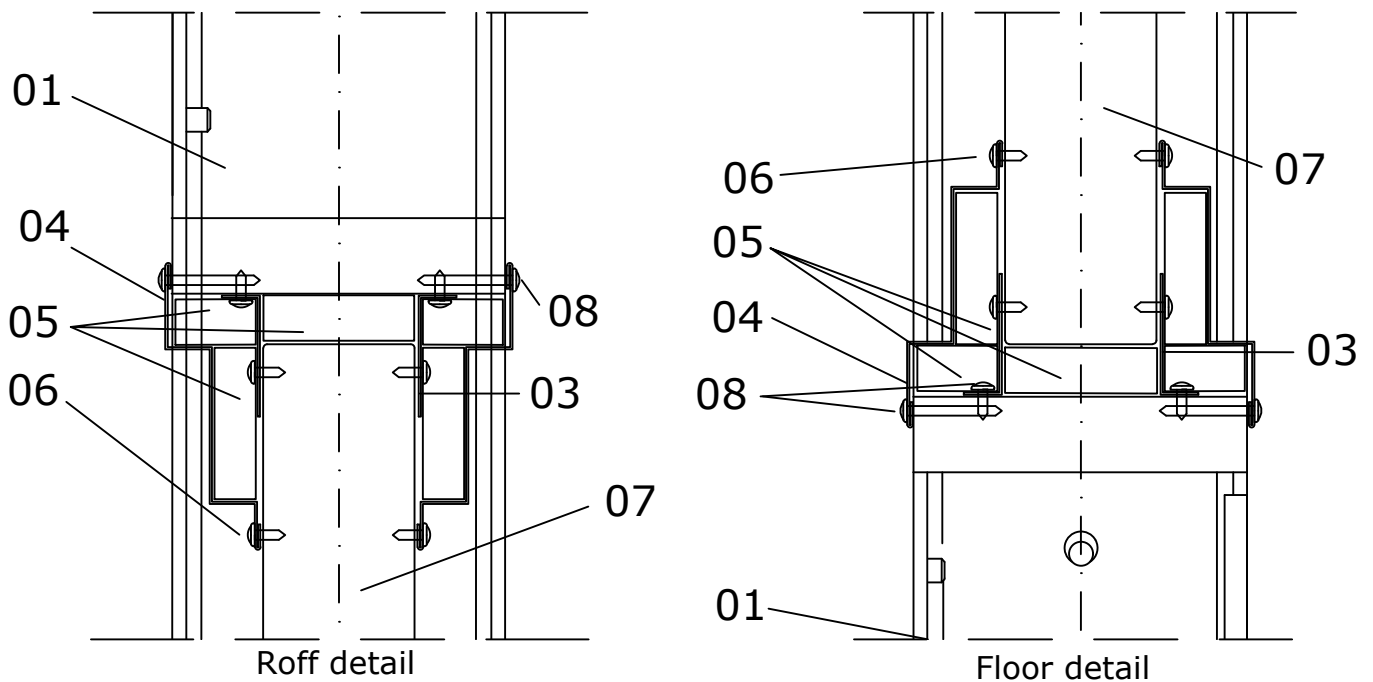


FIRE RESISTANT TEST INSTALLATION



01	Frame	05	Mineral wool
02	"L" steel flashing thk=0,5mm, 50x80mm	06	Screw 6,3x22mm
03	"L" profile thk=1,5 mm	07	ACH panel with EI Certificate
04	"L" steel flashing thk=0,5mm	08	Concrete fastener

Fire resistant installation		06/17
ACH panel & roof or floor detail		SE
		28